



CE MODELS | SJ 12 SJ 16



SJ 12 SJ 16

## SELF PROPELLED VERTICAL LIFT

Skyjack has established itself as an industry leader in providing the most robust and reliable aerial work platforms. Skyjack's new self propelled vertical lifts are no different, utilizing the same design features while providing a compact footprint and superior maneuverability. Models are available in two configurations; the SJ 12 with a working height of 5,48 m, and the SJ 16 with a working height of 6,70 m.

When operating in tight workspaces, a high degree steer angle allows both models superior functionality

and flexibility by offering zero inside turning radius. The SJ 12 and SJ 16 also both feature a 0,41 m traversing platform, providing increased access and the ability to reach over potential obstacles. A unique slide away platform provides easy access to components, when raised or in the stowed position.

Skyjack's standard colour coded and numbered wiring system with hard-wired relay based controls help to ensure the new SJ 12 and SJ 16 live up to Skyjack's leading reputation for quality and serviceability.

**NEW**

SJ 12 SJ 16

# Self Propelled Vertical Lifts

Specifications*	SJ 12	SJ 16
A Work Height	5,48 m	6,70 m
B Raised Platform Height	3,65 m	4,87 m
C Lowered Platform Height	0,45 m	0,51 m
D Overall Width	0,76 m	0,76 m
E Overall Length	1,37 m	1,37 m
F Stowed Height	1,76 m	1,76 m
G Platform Width (Inside Dimension)	0,67 m	0,67 m
H Platform Length (Inside Dimension)	0,97 m	0,97 m
Ground Clearance (Stowed)	6,35 cm	6,35 cm
Ground Clearance (Elevated)	1,91 cm	1,91 cm
Weight	782 kg	966 kg
Local Floor Load (with rated load)	790 kPa	864 kPa
Local Floor Load (no load)	583 kPa	629 kPa
Gradeability	30%	30%
Turning Radius (Inside)	0	0
Turning Radius (Outside)	1,42 m	1,42 m
Drive Speed (Stowed)	4,0 km/h	4,0 km/h
Drive Speed (Raised)	0,8 km/h	0,8 km/h
Maximum Drive Height	Full Height	Full Height
Capacity (Overall)	227 kg	227 kg
Maximum # of Persons	2	2

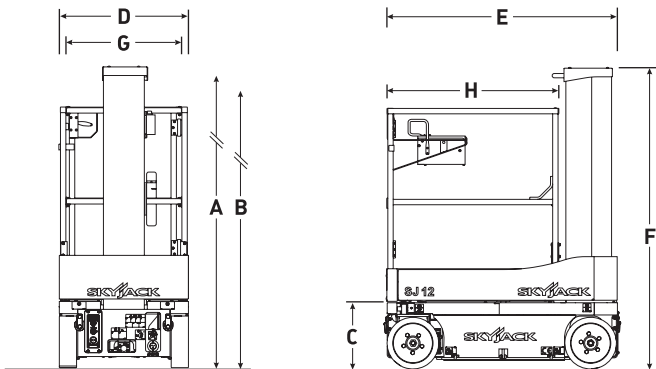
## STANDARD FEATURES

- Drivable at full height
- Variable speed, front two wheel hydraulic drive
- Zero inside turning radius
- Dual holding brakes
- Proportional controls
- 0,41 m Traversing platform
- 24V DC power source
- Low voltage battery protection
- 30% gradeability
- Solid rubber, non-marking tyres
- Pothole protection system
- Wiring for AC outlet at platform
- 12.5m/s wind rating (SJ12 only)
- Tilt alarm with drive & lift cut-out
- All motion audible alarm
- Lanyard attachment points
- Operator horn
- Lift rings/tie downs
- Full height spring hinged gate
- Relay based control system
- Colour coded and numbered wiring system

## OPTIONS‡

- Flashing light
- AC inverter
- Half height spring hinged gate
- Light duty pipe rack/steel stud rack
- Tool tray

‡ Capacities, and machine weights may differ when options are added.



### Skyjack UK

Unit 1, Maes-y-Clawdd  
Maesbury Road Industrial Estate  
Oswestry, Shropshire, SY10 8NN  
Tel: +44 1691 676235  
Fax: +44 1691 676239  
Email: info@skyjackeurope.co.uk

www.skyjack.com

### Skyjack AB (Sweden)

Marieholmsgatan 2  
415 02 Göteborg  
Sweden  
Tel: +46 31212245  
Fax: +46 31212066

### Skyjack SAS (France)

Lieudit Les Pretes  
22 bis rue de l'avenir  
38150 Chanas France  
Tel: +33 474 20 30 20  
Fax: +33 474 20 58 93

### Skyjack Hebebühnen GmbH (Germany)

Wullener Feld 27  
D-58454 Witten  
Tel: +49 2302 2026909  
Fax: +49 2302 2025671

This brochure is for illustrative purpose only and based on the latest information at the time of printing. Skyjack Inc. reserves the right to make changes at any time, without notice, to specifications, standard and optional equipment. Consult the Operating Maintenance and Parts Manuals for proper procedures. CE marked work platforms are in conformance to Machinery Directive 2006/42/EC.